

DRAWN		1	
JOE			
CHECKED			
QA		TITLE	
MFG		Closed Back set up for stud mount.	
APPROVED			
		SIZE	Drawing Number: M9
		SCALE	REV
		SHEET 10 OF 18	

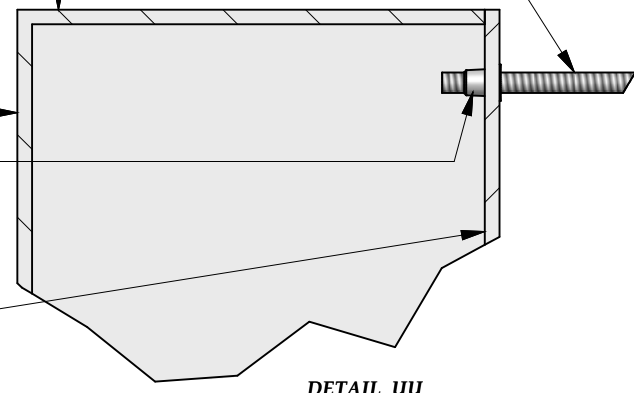
10-32 mounting stud
length of stud varies

22 gauge stainless
steel return

18 gauge stainless
steel face

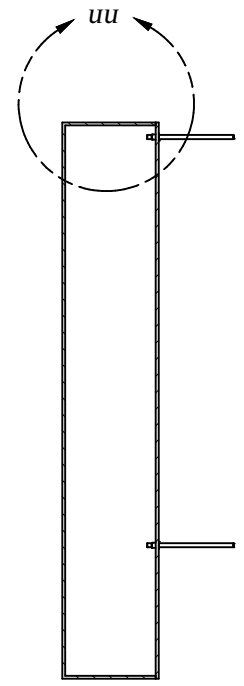
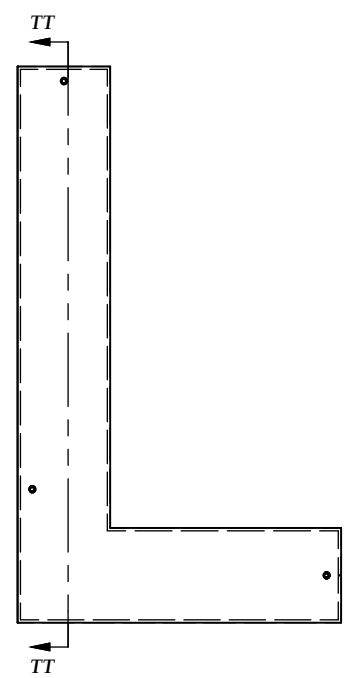
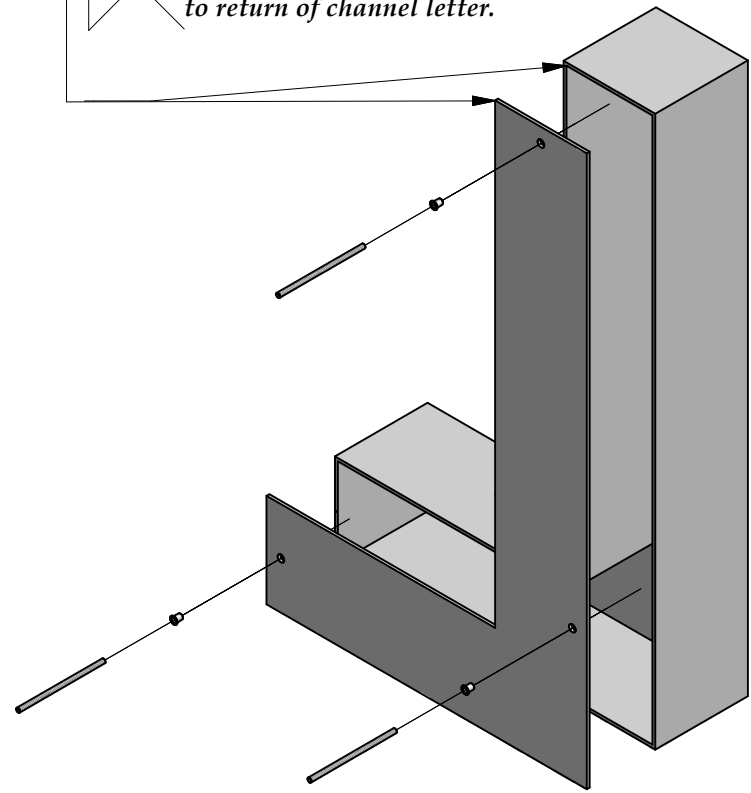
10 - 32 riv nut for
mounting (set into
back of letter)

18 gauge stainless
steel back



DETAIL UU
SCALE 2.50 : 1

Back is soldered
to return of channel letter.



SECTION TT-TT
SCALE 1/2

NOTE:

1. All mounting hardware is set up for 10 - 32 unless otherwise specified.
2. Letter is completely closed with all seams being soldered.