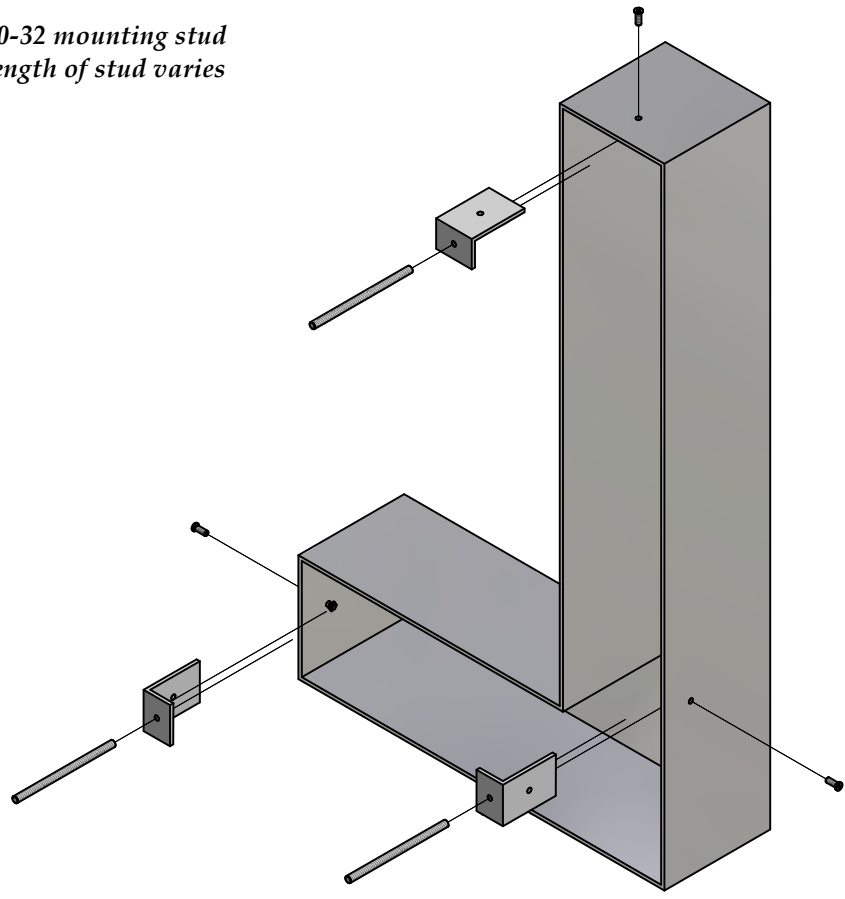
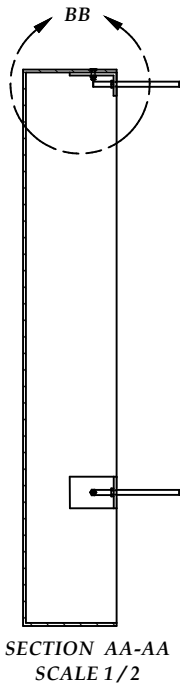
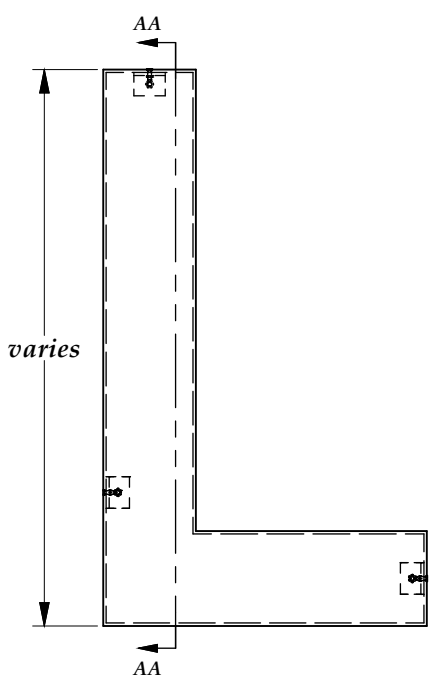
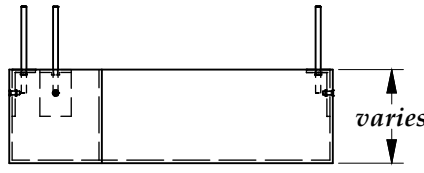
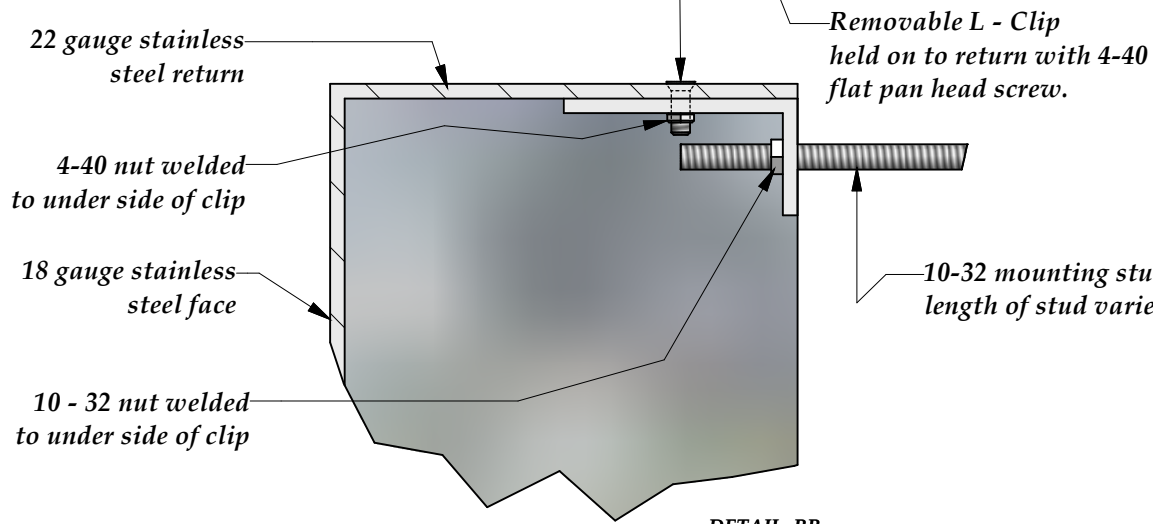


DRAWN		1	
JOE			
CHECKED		TITLE	
		Removable L - Clips for Stud Mount	
QA			
MFG			
APPROVED			
		SIZE	Drawing Number: M4
		SCALE	REV
		SHEET 5 OF 18	



NOTE:
1. All mounting hardware is set up for 10 - 32 unless otherwise specified.

