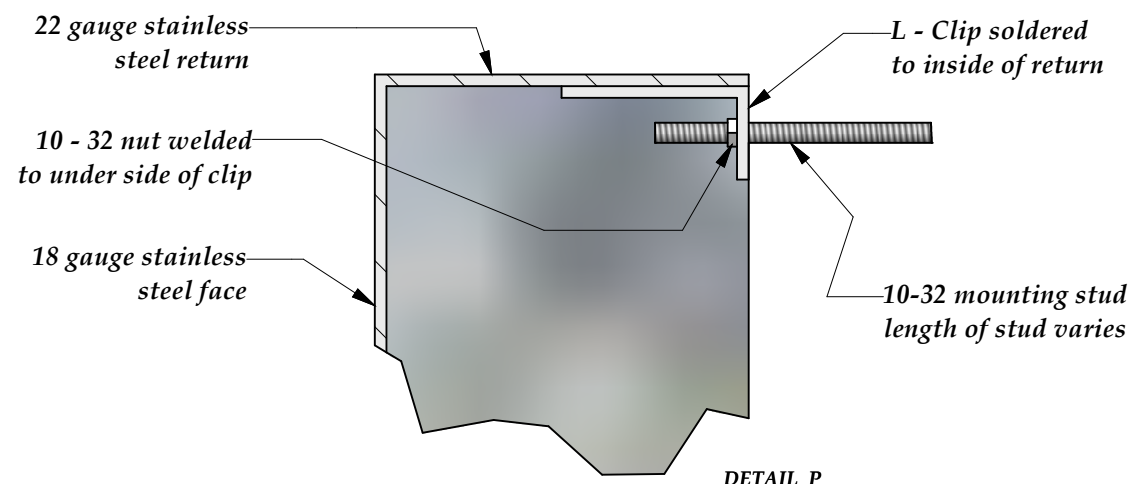
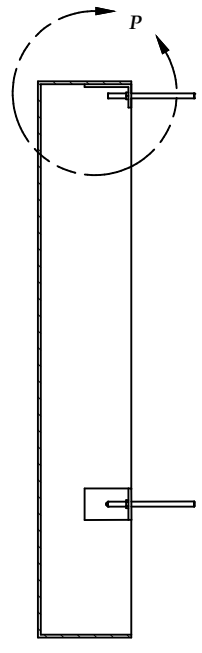
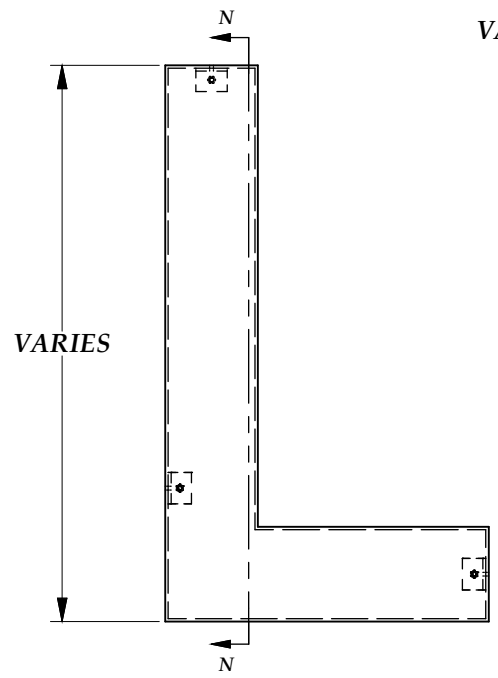
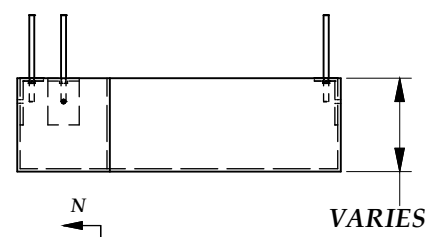


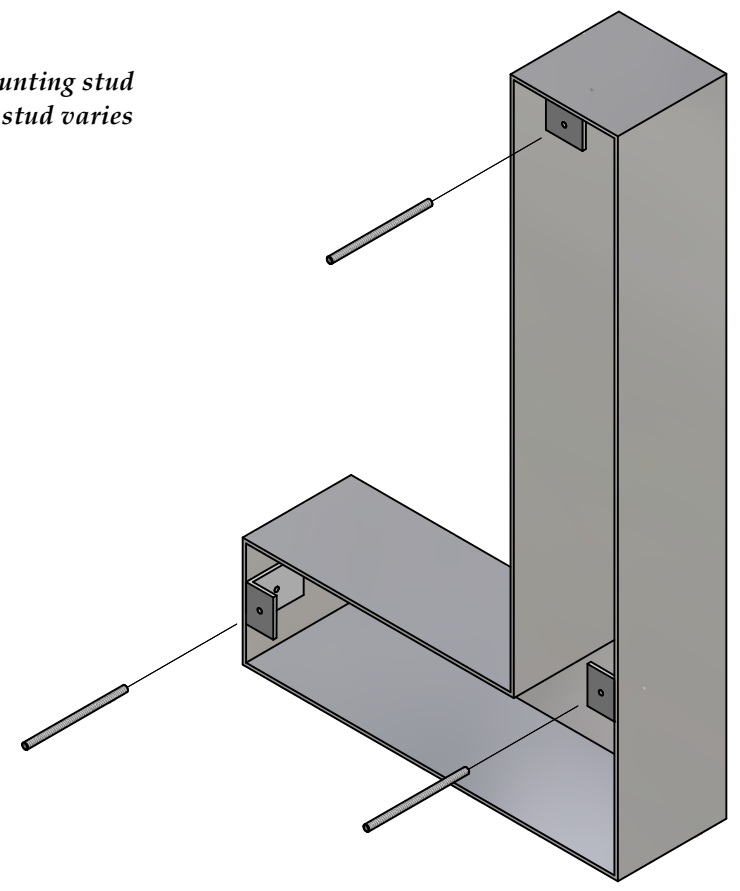
DRAWN		1	
JOE			
CHECKED		TITLE	
QA		<b>Soldered L - Clips for Stud Mount</b>	
MFG			
APPROVED			
		SIZE	Drawing Number: <b>M3</b>
		SCALE	REV
		SHEET <b>4</b> OF <b>18</b>	



DETAIL P  
SCALE 2:1



SECTION N-N  
SCALE 1/2



**NOTE:**

1. All mounting hardware is set up for 10 - 32 unless otherwise specified.