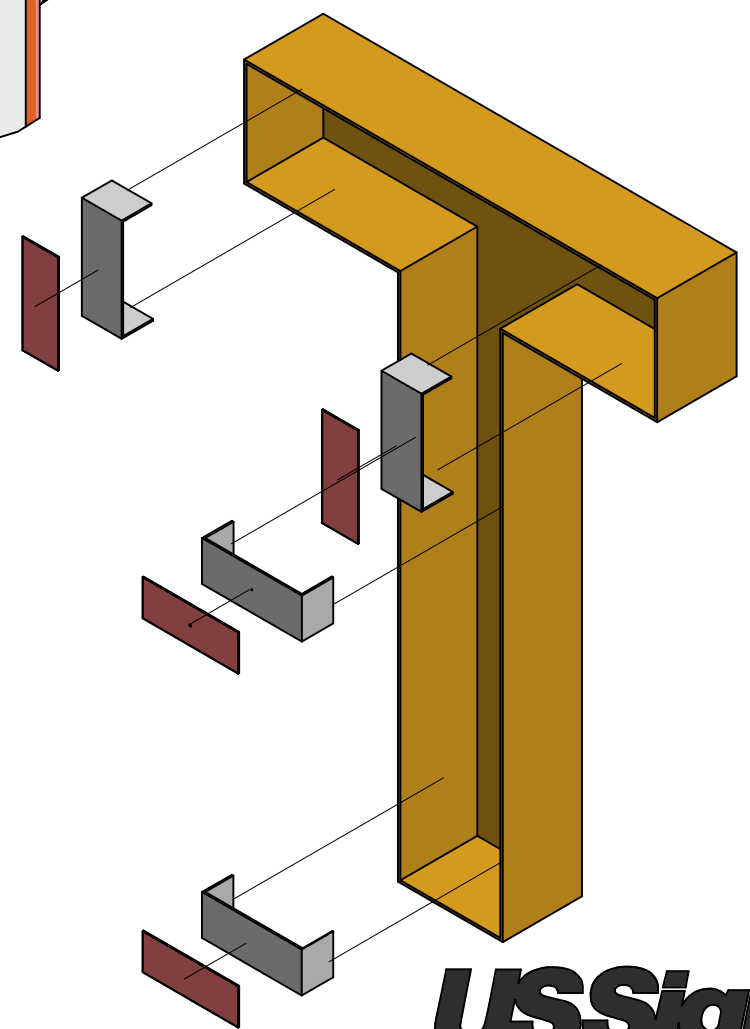
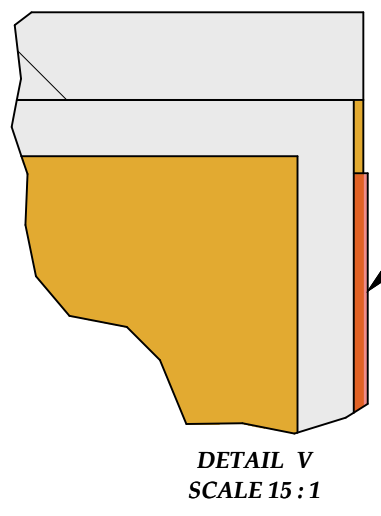
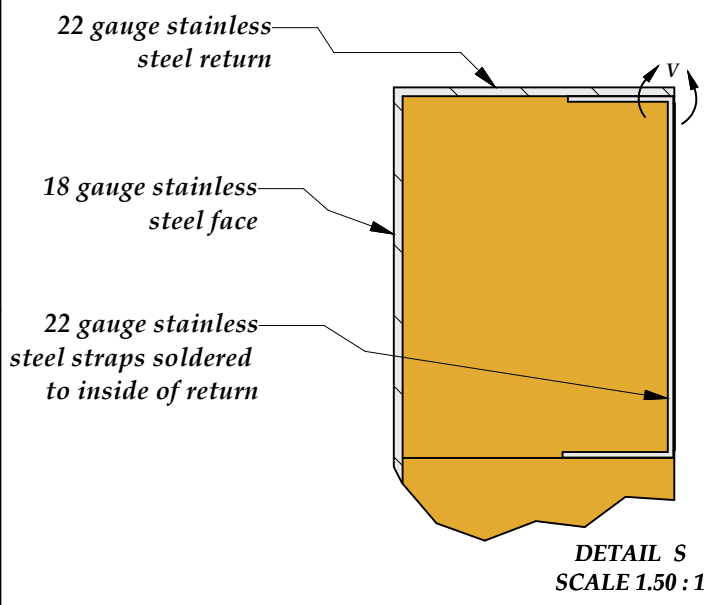


DRAWN	
JOE	
CHECKED	
QA	
MFG	
APPROVED	
SIZE	
SCALE	

TITLE		
Strap mount (double sided tape option)		
Drawing Number: M2		REV
SHEET 3 OF 18		



USSign
& Fabrication Corporation

